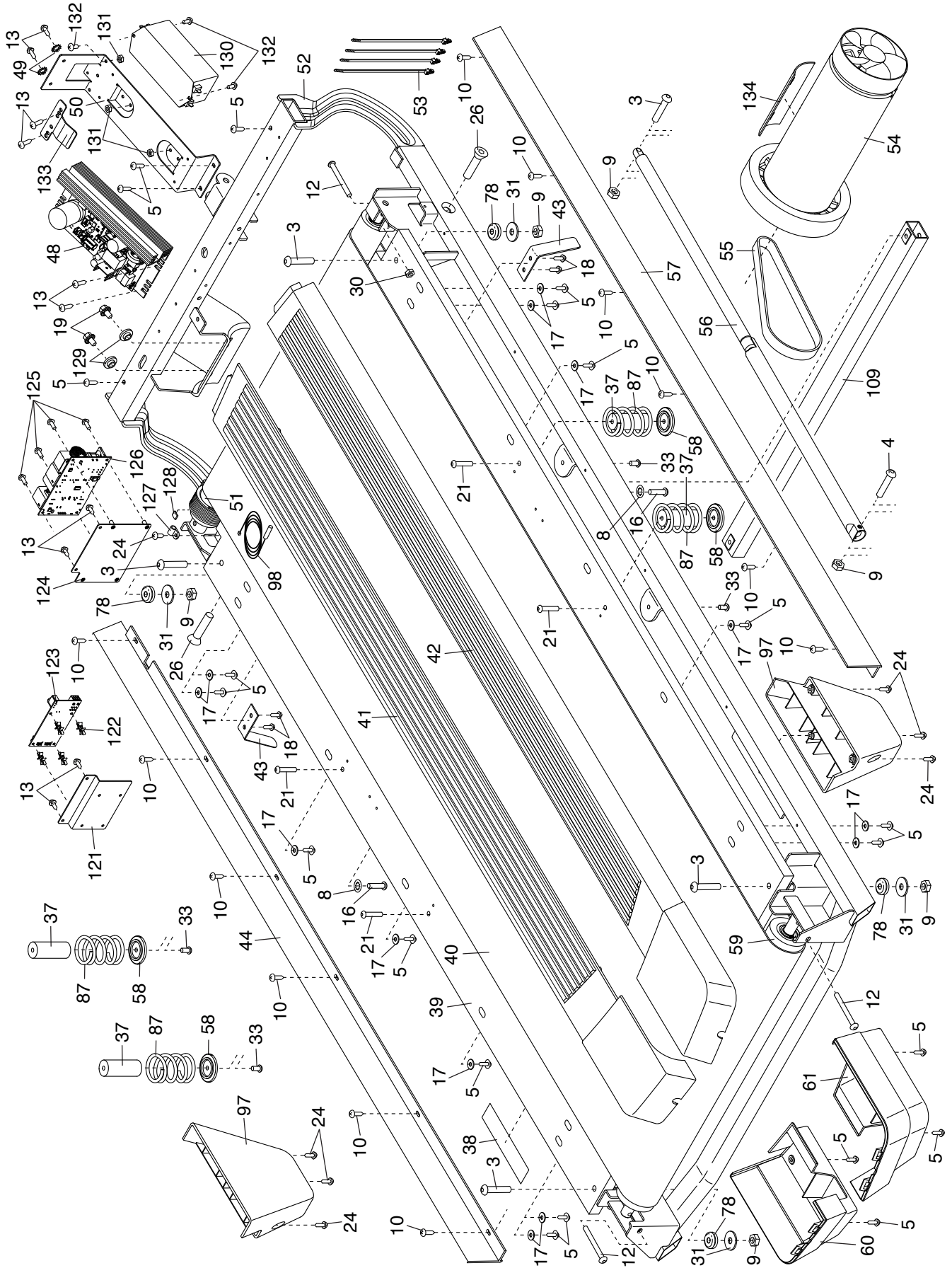


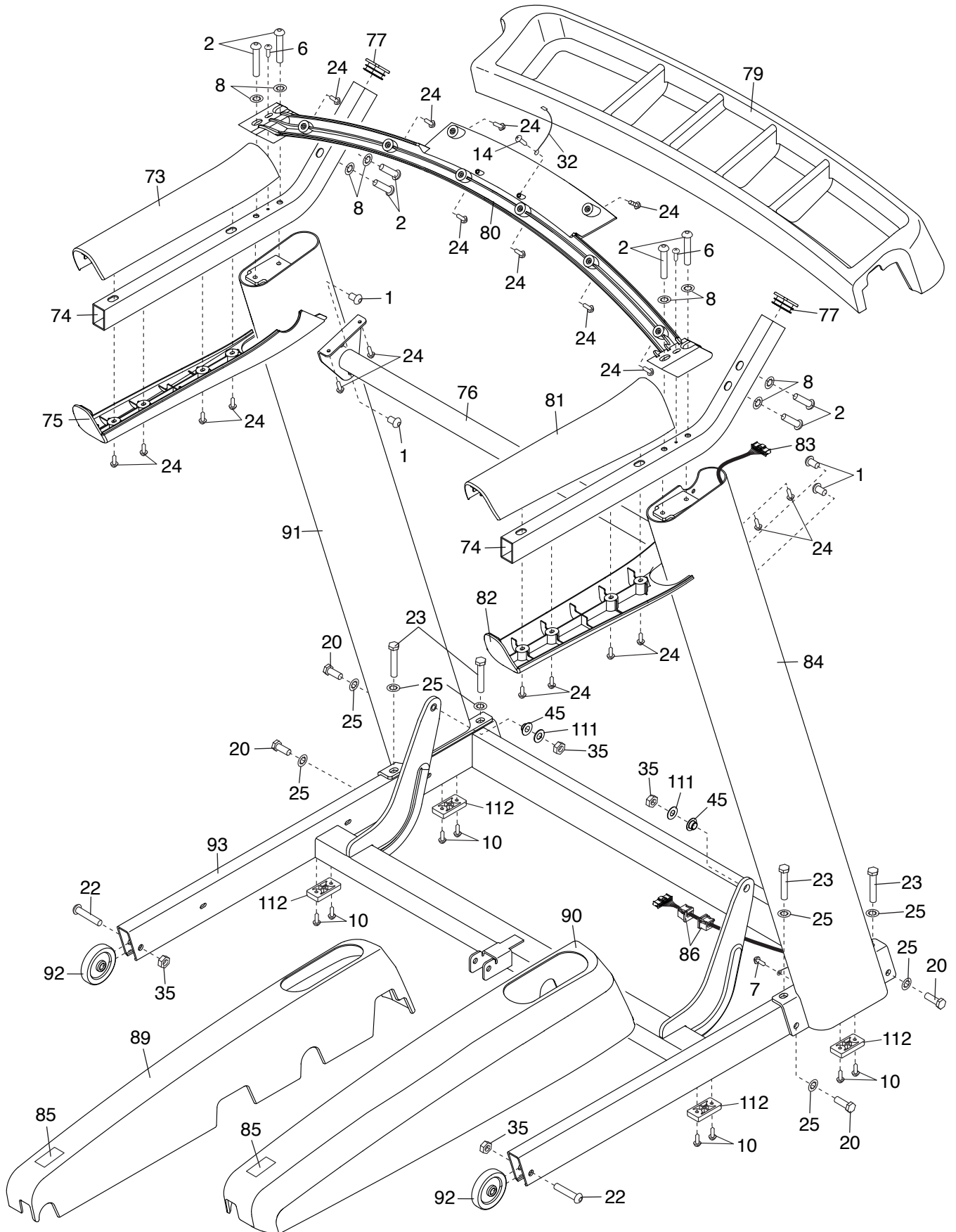
EXPLODED DRAWING A

Model No. NTL14221-INT.0 R0421A



EXPLODED DRAWING C

Model No. NTL14221-INT.0 R0421A



EXPLODED DRAWING D

Model No. NTL14221-INT.0 R0421A

